



# PRODUCT CATALOGUE



**At SeaTec**, we are committed to providing **quality, affordable, reliable products**.

**SeaTec** produces a wide range of anode products in the cathodic protection sector, using the latest technology and high quality standards. Tutyalar; It is used to effectively protect floating and fixed vehicles and structures, such as boats, yachts, ships, piers, ports, oil and gas platforms, pipelines, bridges and ballast tanks, from corrosion in all water conditions such as sea, river or lake.

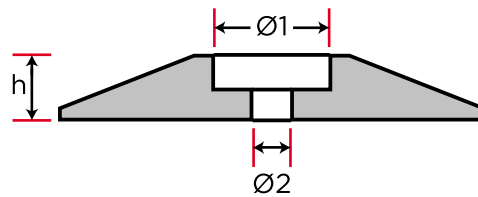
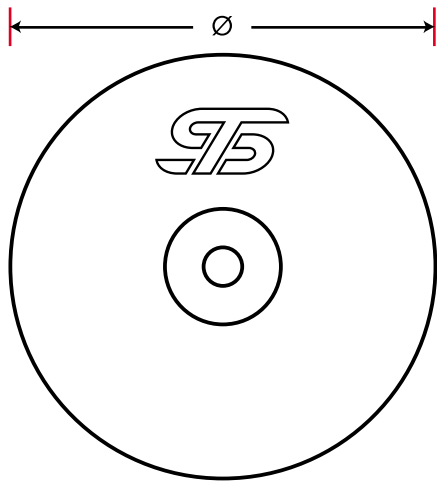
As **SeaTec**; Apart from standard anode products, we also produce special anode and induction cathodic protection products in line with the demands and needs of our customers. We continue to offer solutions with our understanding of quality control, on-time delivery, after-sales support and a sustainable future.

All **SeaTec** zinc, aluminum and magnesium anodes are manufactured in strict accordance with **ISO 9001** international quality standards, with zinc anodes additionally complying with **US Mil-A-18001K** standards. In production, each solution prepared with the highest purity, **ISO 9001 certified, 1st Class** components is used under quality control.



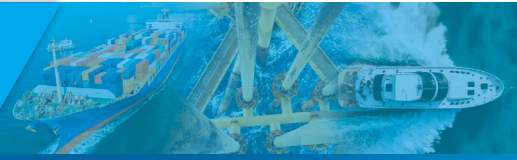


## RUDDER ANODES

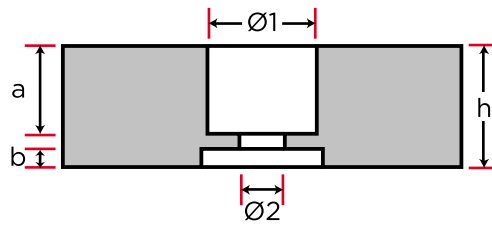
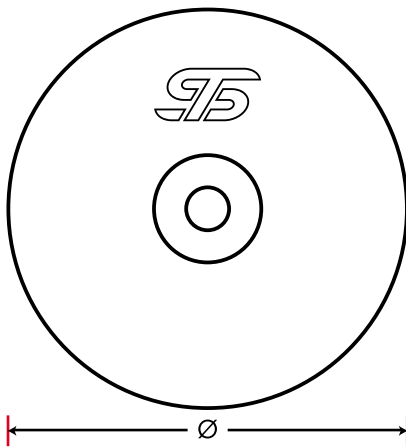


### RUDDER ANODES

Code	Material	Unit	Ø	h	Ø1	Ø2	kg	lbs
UT70	Zn	mm	70	12	30	10	0,19	0,42
		inch	2 ¾"	1/2"	1 ¾"	3/8"		
UT90	Zn	mm	90	14	30	10	0,36	0,79
		inch	3 ⅝"	9/16"	1 ¾"	3/8"		
UT110	Zn	mm	110	17	30	12	0,63	1,39
		inch	4 ⅝"	11/16"	1 ¾"	1/2"		
UT130	Zn	mm	130	20	35	10	0,99	2,18
		inch	5 ⅛"	13/16"	1 3/8"	3/8"		
UT150	Zn	mm	150	22	35	10	1,42	3,13
		inch	5 ⅞"	7/8"	1 3/8"	3/8"		

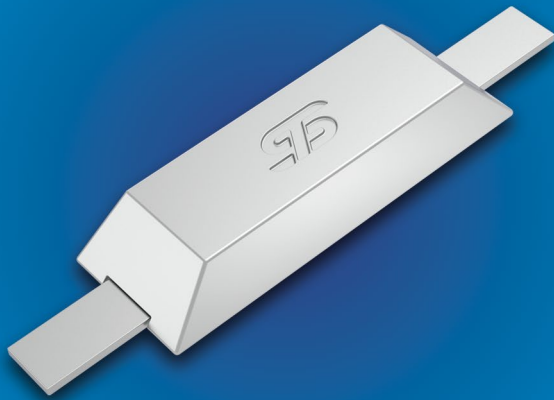


# STERN ANODES

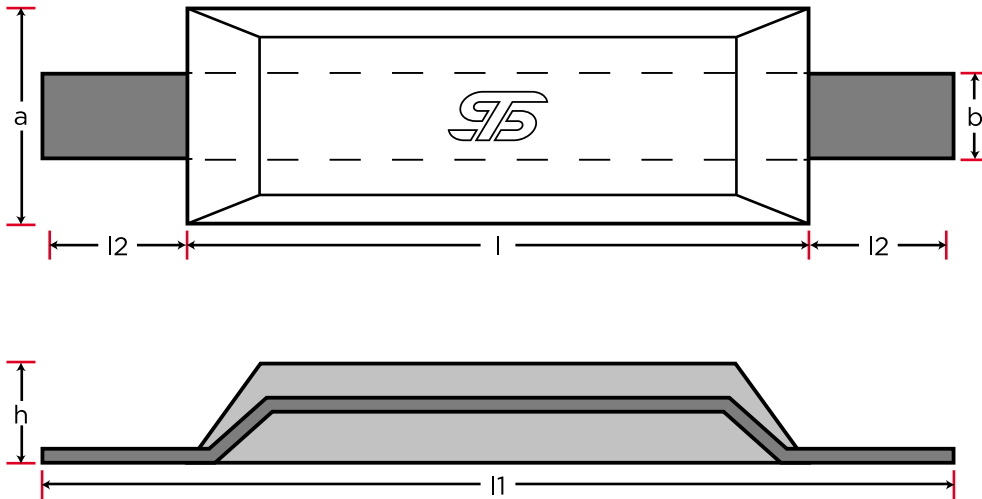


## STERN ANODES

Code	Material	Unit	Ø	h	Ø1	Ø2	a	b	kg	lbs
KAT11030	Zn	mm	110	30	35	14	19	6	2,01	4,43
		inch	4 5/16"	1 3/16"	1 3/8"	9/16"	3/4"	1/4"		
KAT13030	Zn	mm	130	30	35	14	19	6	2,43	5,36
		inch	5 1/8"	1 3/16"	1 3/8"	9/16"	3/4"	1/4"		
KAT13040	Zn	mm	130	40	35	14	29	6	3,20	7,05
		inch	5 1/8"	1 5/16"	1 3/8"	9/16"	1 1/8"	1/4"		
KAT14030	Zn	mm	140	30	35	14	19	6	2,85	6,28
		inch	5 1/2"	1 3/16"	1 3/8"	9/16"	3/4"	1/4"		
KAT14040	Zn	mm	140	40	35	14	29	6	3,79	8,36
		inch	5 1/2"	1 5/16"	1 3/8"	9/16"	1 1/8"	1/4"		
KAT20030	Zn	mm	200	30	35	14	19	6	6,60	14,55
		inch	7 7/8"	1 3/16"	1 3/8"	9/16"	3/4"	1/4"		
KAT22030	Zn	mm	230	30	35	14	19	6	8,65	19,07
		inch	9 1/16"	1 3/16"	1 3/8"	9/16"	3/4"	1/4"		



## INGOT TYPE ANODES WITH STRAP



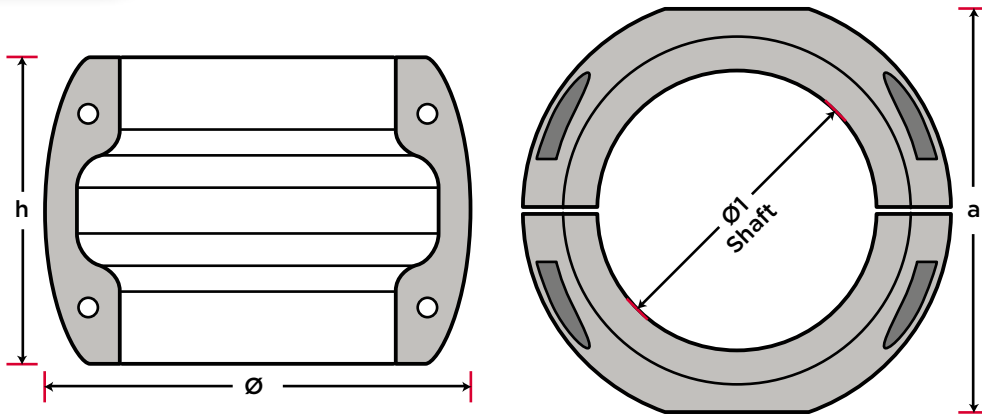
### INGOT TYPE ANODES WITH STRAP

Code	Material	Unit	l	a	h	l1	l2	b	kg	lbs
DKK05	Zn	mm	94	45	30	180	43	20	0,5	1,10
		inch	3 1/16"	1 3/4"	1 3/16"	7 1/16"	1 11/16"	13/16"		
DKK1	Zn	mm	125	65	25	225	50	30	1,00	2,20
		inch	4 15/16"	2 5/16"	1	8 7/8"	1 15/16"	1 3/16"		
DKK2	Zn	mm	175	67	33	275	50	30	2,00	4,41
		inch	6 7/8"	2 5/8"	1 3/16"	10 13/16"	1 15/16"	1 3/16"		
DKK3	Zn	mm	215	75	35	315	50	30	3,00	6,61
		inch	8 7/16"	2 15/16"	1 3/8"	12 3/8"	1 15/16"	1 3/16"		
DKK4	Zn	mm	250	85	35	350	50	30	4,00	8,82
		inch	9 13/16"	3 3/8"	1 3/8"	13 3/4"	1 15/16"	1 3/16"		
DKK5	Zn	mm	305	85	36	405	50	30	5,00	11,02
		inch	12	3 3/8"	1 7/16"	15 15/16"	1 15/16"	1 3/16"		



# SHAFT ANODES

Shaft Diameter  
40mm - 85mm



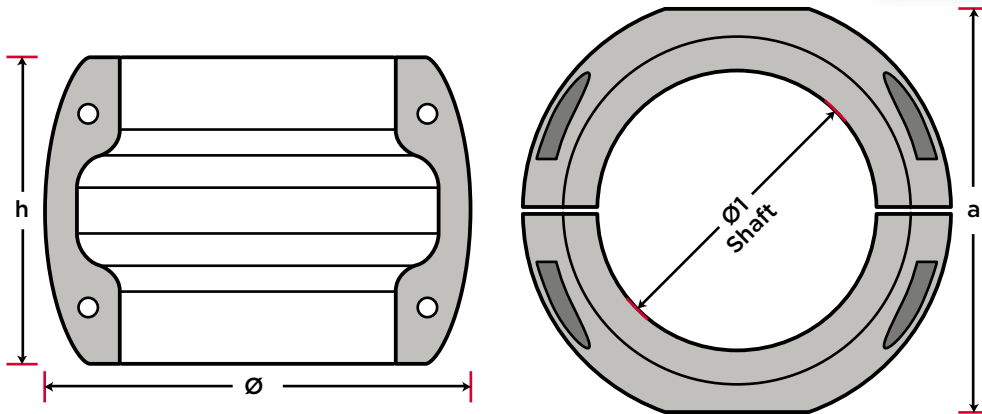
## SHAFT ANODES (Shaft Diameter 40mm - 85mm)

Code	Material	Unit	Ø1 (Shaft)	h	Ø	a	kg	lbs
STT40	Zn	mm	40	70	77	70	1,03	2,27
		inch	1 9/16"	2 3/4"	3 1/16"	2 3/4"		
STT45	Zn	mm	45	70	77	70	0,87	1,92
		inch	1 3/4"	2 3/4"	3 1/16"	2 3/4"		
STT50	Zn	mm	50	74	92	86	1,50	3,31
		inch	1 15/16"	2 15/16"	3 5/8"	3 3/8"		
STT55	Zn	mm	55	74	92	86	1,27	2,80
		inch	2 3/16"	2 15/16"	3 5/8"	3 3/8"		
STT60	Zn	mm	60	80	105	100	1,79	3,95
		inch	2 3/8"	3 1/8"	4 1/8"	3 15/16"		
STT65	Zn	mm	65	80	105	100	1,51	3,33
		inch	2 5/16"	3 1/8"	4 1/8"	3 15/16"		
STT70	Zn	mm	70	87	122	115	2,64	5,82
		inch	2 3/4"	3 7/16"	4 13/16"	4 1/2"		
STT75	Zn	mm	75	87	122	115	2,23	4,92
		inch	2 15/16"	3 7/16"	4 13/16"	4 1/2"		
STT80	Zn	mm	80	91	126	120	2,83	6,24
		inch	3 1/8"	3 9/16"	4 15/16"	4 3/4"		
STT85	Zn	mm	85	91	126	120	2,39	5,27
		inch	3 3/8"	3 9/16"	4 15/16"	4 3/4"		



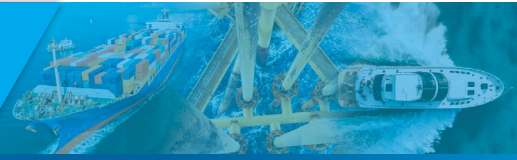
## SHAFT ANODES

Shaft Diameter  
90mm - 135mm

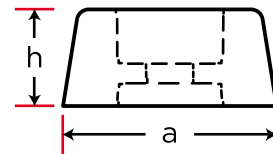
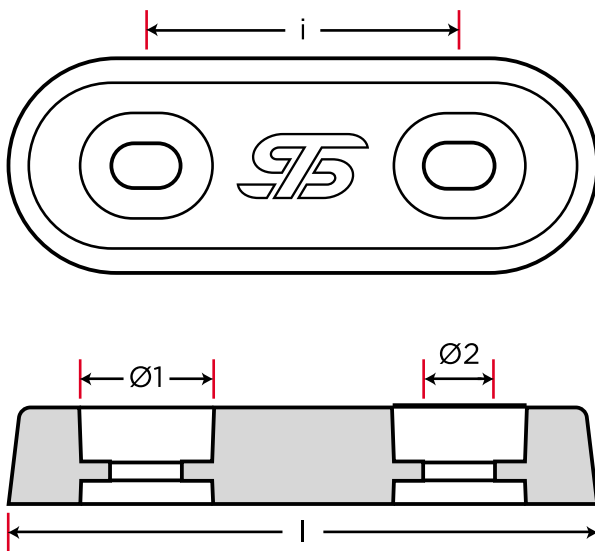


### SHAFT ANODES (Shaft Diameter 90mm - 135mm)

Code	Material	Unit	Ø1 (Shaft)	h	Ø	a	kg	lbs
STT90	Zn	mm	90	99	138	130	3,72	8,20
		inch	3 5/16"	3 7/8"	5 1/4"	5 1/8"		
STT95	Zn	mm	95	99	138	130	3,14	6,92
		inch	3 3/4"	3 7/8"	5 1/4"	5 1/8"		
STT100	Zn	mm	100	111	148	140	4,91	10,82
		inch	3 15/16"	4 3/8"	5 13/16"	5 1/2"		
STT105	Zn	mm	105	111	148	140	4,14	9,13
		inch	4 1/8"	4 3/8"	5 13/16"	5 1/2"		
STT110	Zn	mm	110	122	158	150	5,76	12,70
		inch	4 5/16"	4 13/16"	6 1/4"	5 7/8"		
STT115	Zn	mm	115	122	158	150	4,86	10,71
		inch	4 1/2"	4 13/16"	6 1/4"	5 7/8"		
STT120	Zn	mm	120	125	167	158	6,61	14,57
		inch	4 3/4"	4 15/16"	6 5/16"	6 1/4"		
STT125	Zn	mm	125	125	167	158	5,58	12,30
		inch	4 15/16"	4 15/16"	6 5/16"	6 1/4"		
STT130	Zn	mm	130	135	177	167	9,50	20,94
		inch	5 1/8"	5 5/16"	6 15/16"	6 5/16"		
STT135	Zn	mm	135	135	177	167	8,01	17,66
		inch	5 5/16"	5 5/16"	6 15/16"	6 5/16"		



# VETUS ANODES



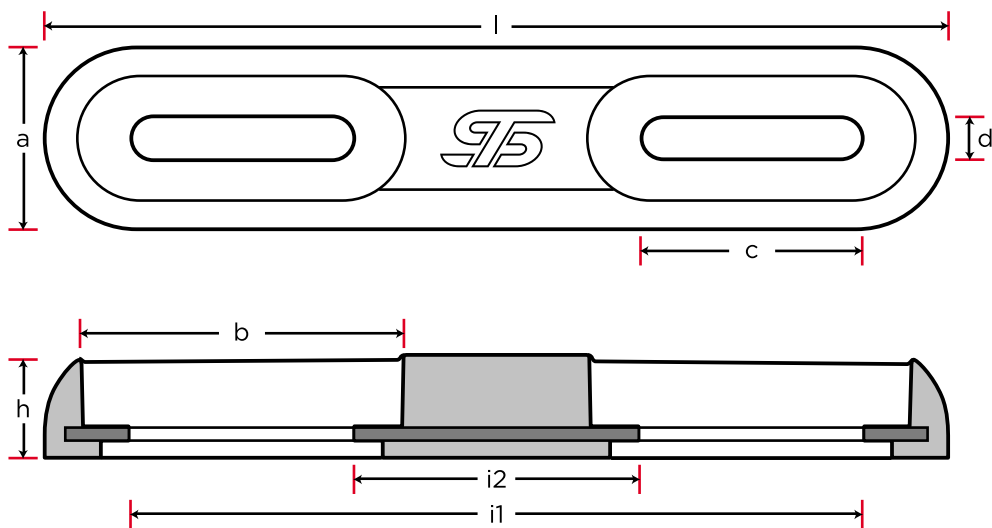
## VETUS ANODES

Code	Material	Unit	l	a	h	i	Ø1	Ø2	kg	lbs
VTT80	Zn	mm	150	55	25	80	33	12 x 18	0,98	2,16
		inch	5 7/8"	2 3/16"	1"	3 1/8"	1 5/16"	1/2" x 11/16"		



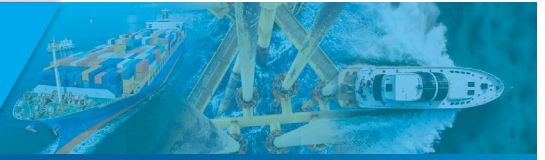


## VETUS ANODES BAR

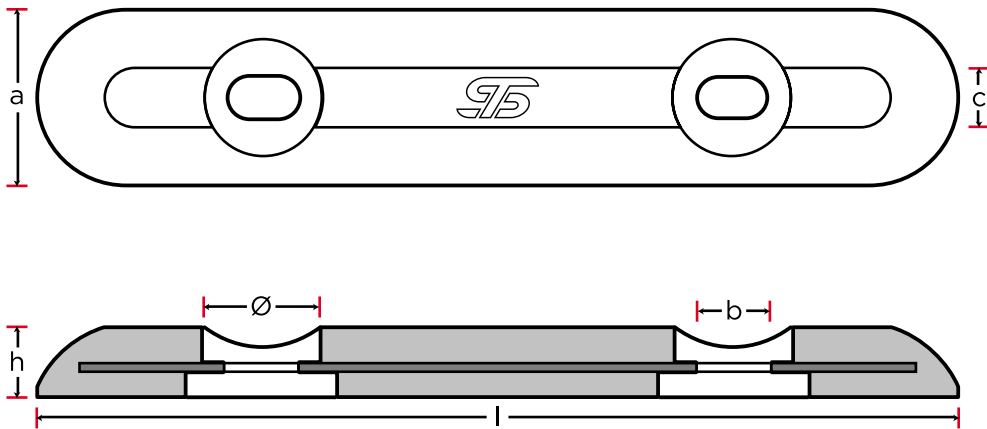


### VETUS ANODES (Bar)

Code	Material	Unit	l	a	h	i1	i2	b	c	d	kg	lbs
VTB200	Zn	mm	310	63	36	251	98	113	76	15	2,56	5,64
		inch	12 3/8"	2 1/2"	1 1/4"	9 7/8"	3 7/8"	4 7/16"	3"	5/8"		



**VETUS  
ANODES  
XL**

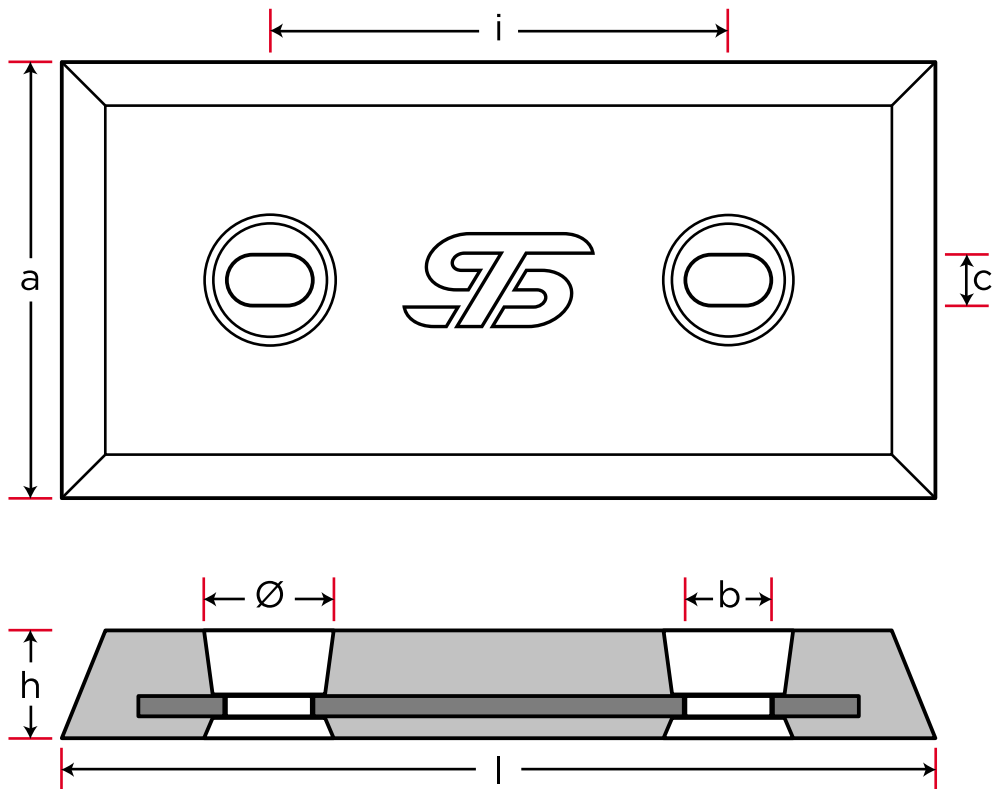


**VETUS ANODES (XL)**

Code	Material	Unit	l	a	h	i	Ø	b	c	kg	lbs
VTXL225	Zn	mm	440	85	34	225	56	35	21	5,70	12,57
		inch	17 5/16"	3 3/8"	1 5/16"	8 7/8"	2 3/16"	1 3/8"	13/16"		



## VETUS ANODES ANGULAR

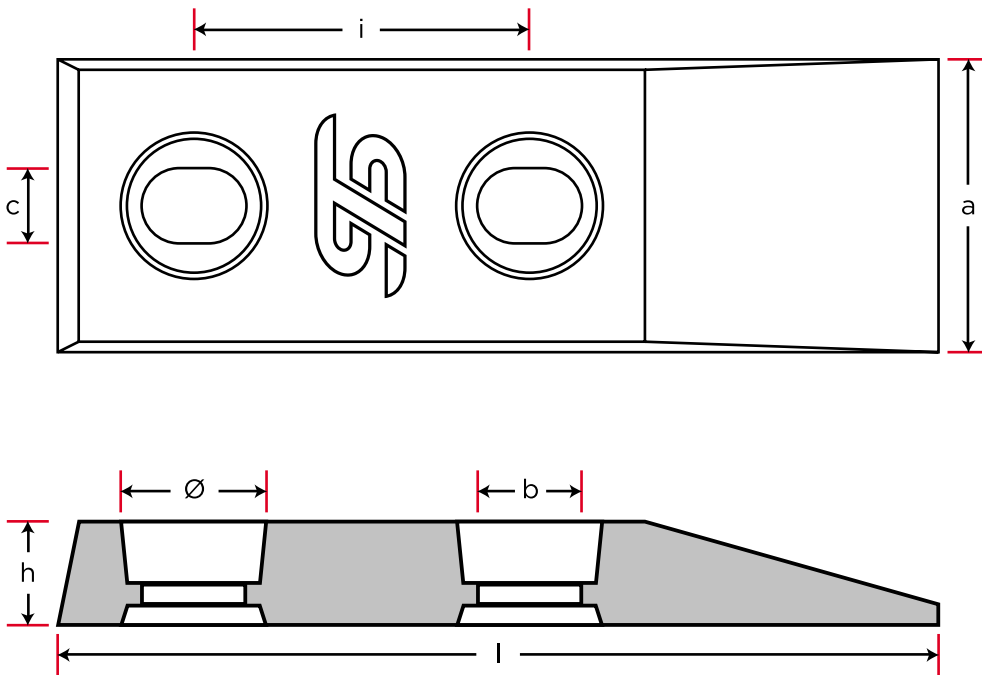


### VETUS ANODES (Angular)

Code	Material	Unit	l	a	h	i	Ø	b	c	kg	lbs
VTK110	Zn	mm	200	100	25	105	30	20	12	2.84	6.26
		inch	7 7/8"	3 15/16"	1"	4 1/8"	1 3/16"	13/16"	1/2"		
VTK125	Zn	mm	290	150	30	125	40	20	14	7.48	16.49
		inch	11 7/16"	5 7/8"	1 3/16"	4 15/16"	1 9/16"	13/16"	9/16"		
VTK160	Zn	mm	300	150	45	160	40	30	18	12.29	27.09
		inch	11 13/16"	5 7/8"	1 3/4"	6 5/16"	1 9/16"	1 3/16"	11/16"		



**VETUS  
ANODES  
SPEED**

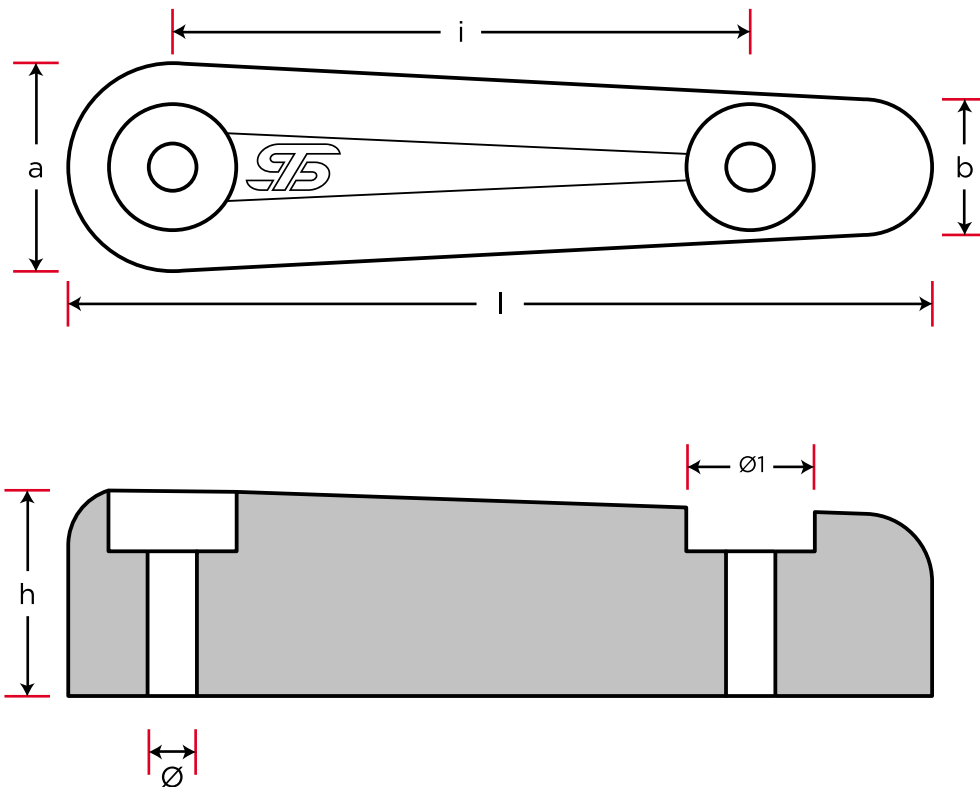


**VETUS ANODES (Speed)**

Code	Material	Unit	l	a	h	i	Ø	b	c	kg	lbs
VTS80	Zn	mm	210	70	25	80	35	25	18	1,87	4,12
		inch	8 ¼"	2 ¾"	1"	3 ⅞"	1 ⅜"	1"	11/16"		

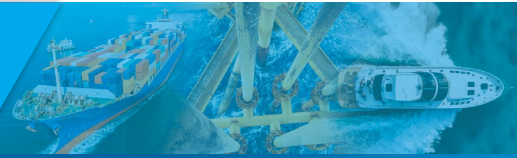


## ARNESON ANODES

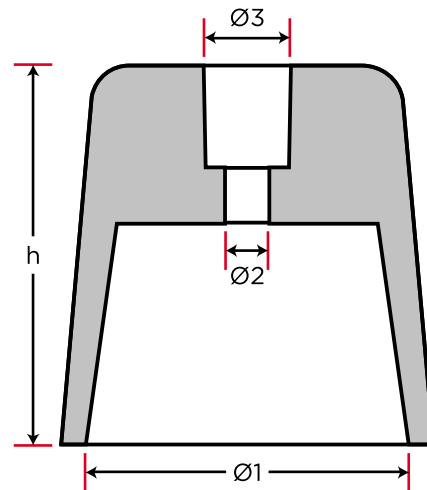
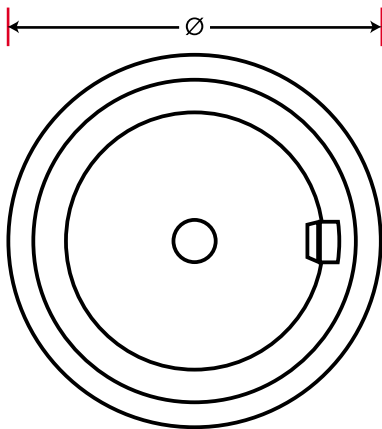


### ARNESON ANODES

Code	Material	Unit	l	a	b	h	i	Ø	Ø1	kg	lbs
AST127	Zn	mm	190	46	30	46	127	10,5	28	1,91	4,21
		inch	7 1/2"	1 13/16"	1 3/16"	1 13/16"	5	7/16"	1 1/8"		



# PROPELLER ANODES CONICAL

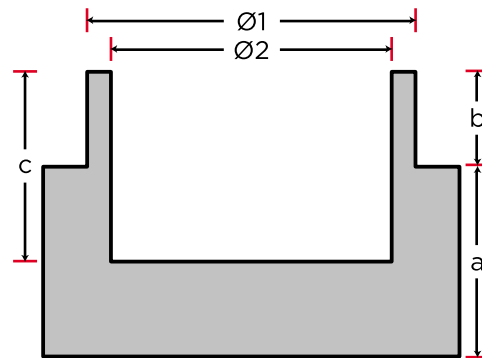
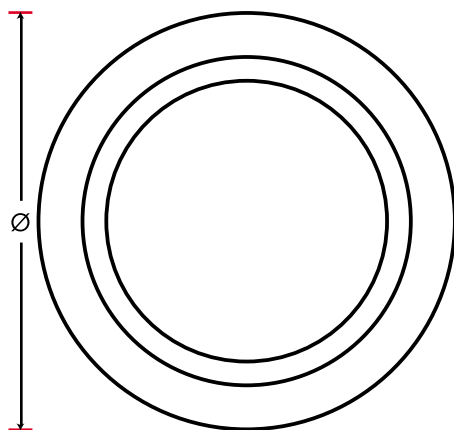


## PROPELLER ANODES (Conical)

Code	Material	Unit	h	Ø	Ø1	Ø2	Ø3	kg	lbs
PTK100	Zn	mm	96	97	84	11	22	2,27	5,00
		inch	3 ¾"	3 13/16"	3 5/16"	7/16"	7/8"		



## PROPELLER ANODES

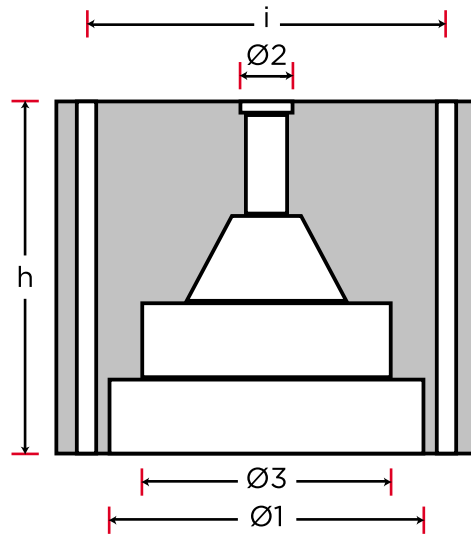
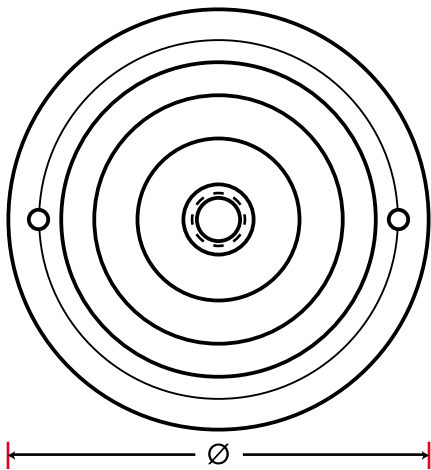
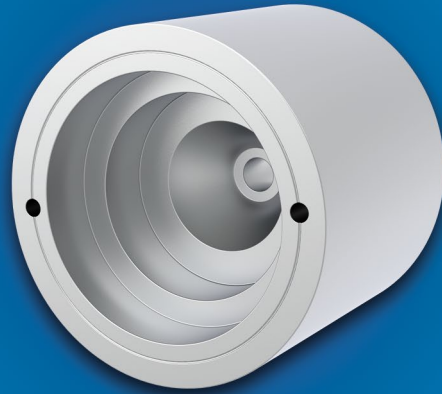


### PROPELLER ANODES

Code	Material	Unit	a	b	c	Ø	Ø1	Ø2	kg	lbs
PT175	Zn	mm	80	40	80	175	138	118	11,68	25,75
		inch	3 1/8"	1 5/8"	3 1/8"	6 7/8"	5 3/8"	4 5/8"		



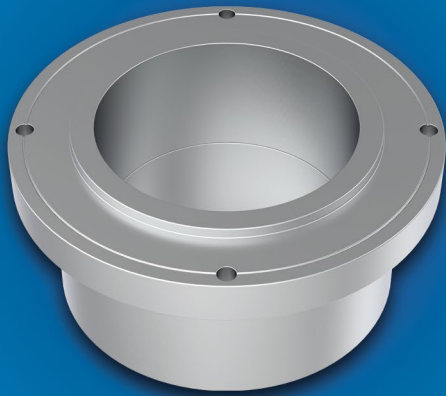
**PROPELLER  
ANODES  
2 SCREWS**



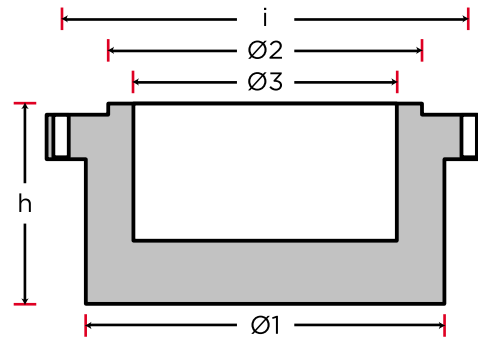
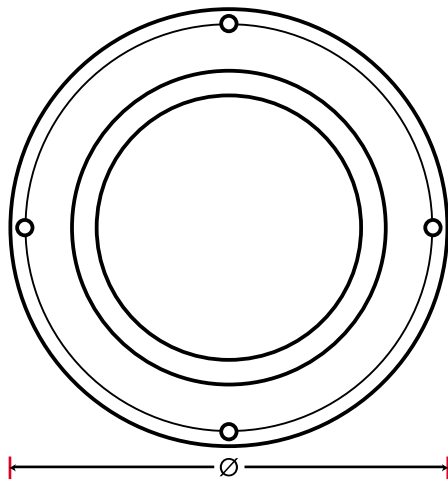
**PROPELLER ANODES (2 Screws)**

Code	Material	Unit	h	i	Ø	Ø1	Ø2	Ø3	kg	lbs
PT1552	Zn	mm	130	132	155	116	16	92	13,47	29,70
		inch	5 1/8"	5 3/16"	6 1/8"	4 5/16"	3/4"	3 5/8"		





## PROPELLER ANODES 4 SCREWS

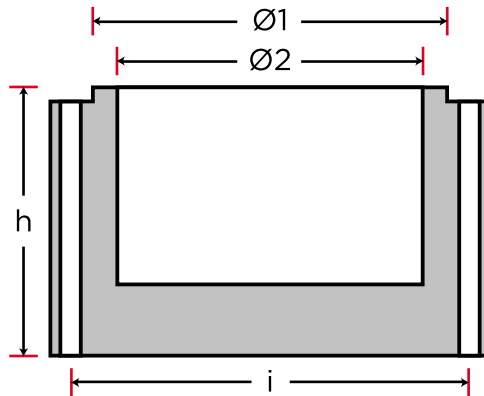
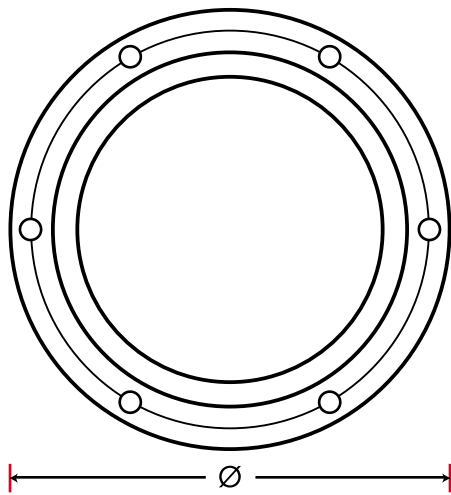


### PROPELLER ANODES (4 Screws)

Code	Material	Unit	h	i	Ø	Ø1	Ø2	Ø3	kg	lbs
PT1954	Zn	mm	90	181	195	160	140	118	9,21	20,30
		inch	3 9/16"	7 1/8"	7 1/16"	6 5/16"	5 1/2"	4 5/8"		

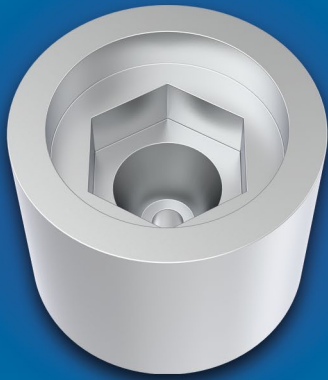


**PROPELLER  
ANODES  
6 SCREWS**

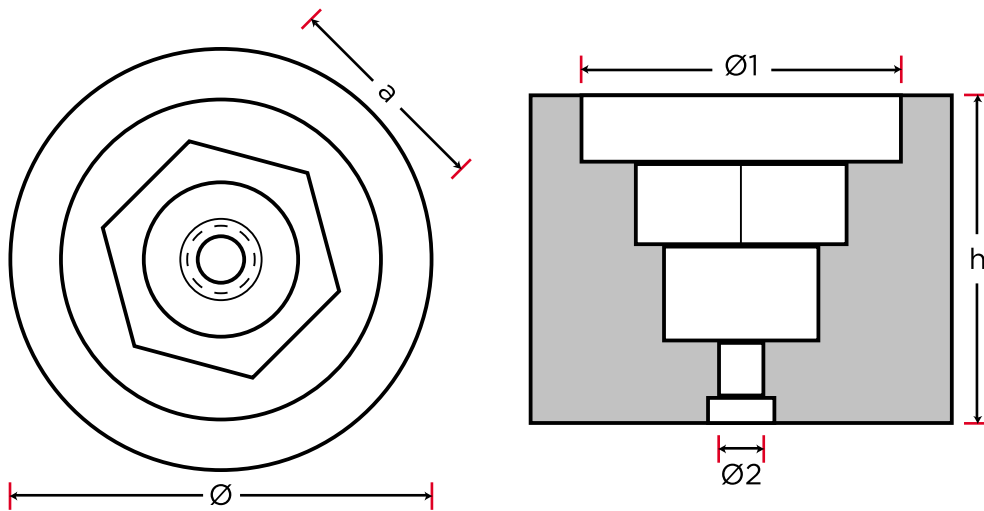


**PROPELLER ANODES (6 Screws)**

Code	Material	Unit	h	i	Ø	Ø1	Ø2	kg	lbs
PT1556	Zn	mm	95	140	155	125	108	7,20	15,87
		inch	3 ¾"	5 ½"	6 ⅛"	4 15/16"	4 ¼"		

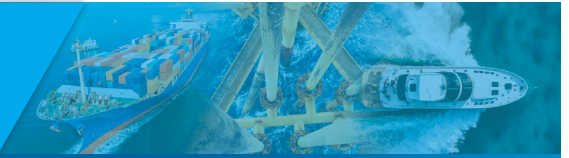


## PROPELLER ANODES HEXAGON

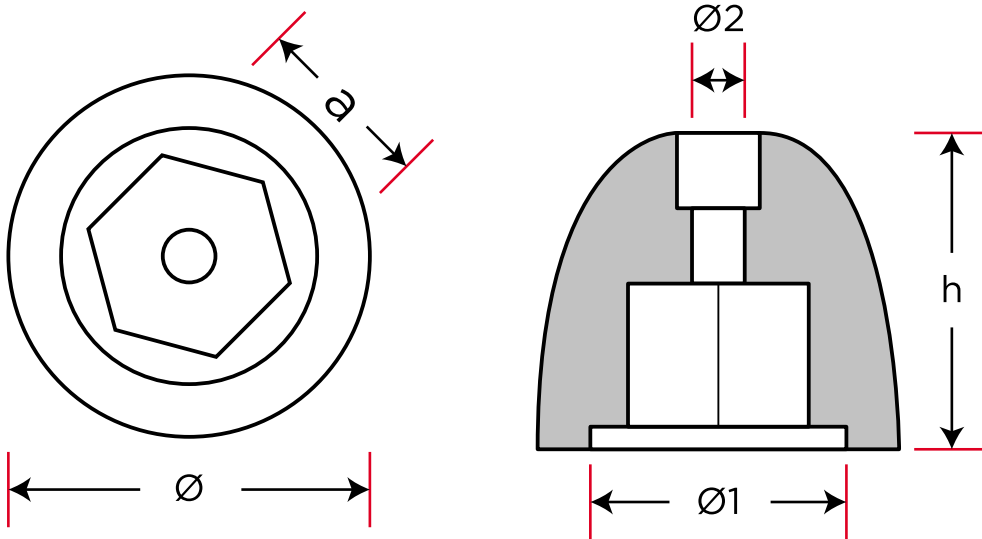
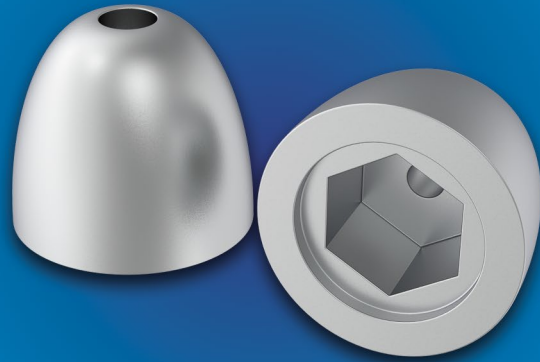


### PROPELLER ANODES (Hexagon)

Code	Material	Unit	a	h	Ø	Ø1	Ø2	kg	lbs
PTA154	Zn	mm	77,5	120	154	117	17	12,39	27,32
		inch	3 1/16"	4 3/4"	6 1/16"	4 5/8"	11/16"		



# BOW THRUSTER ANODES

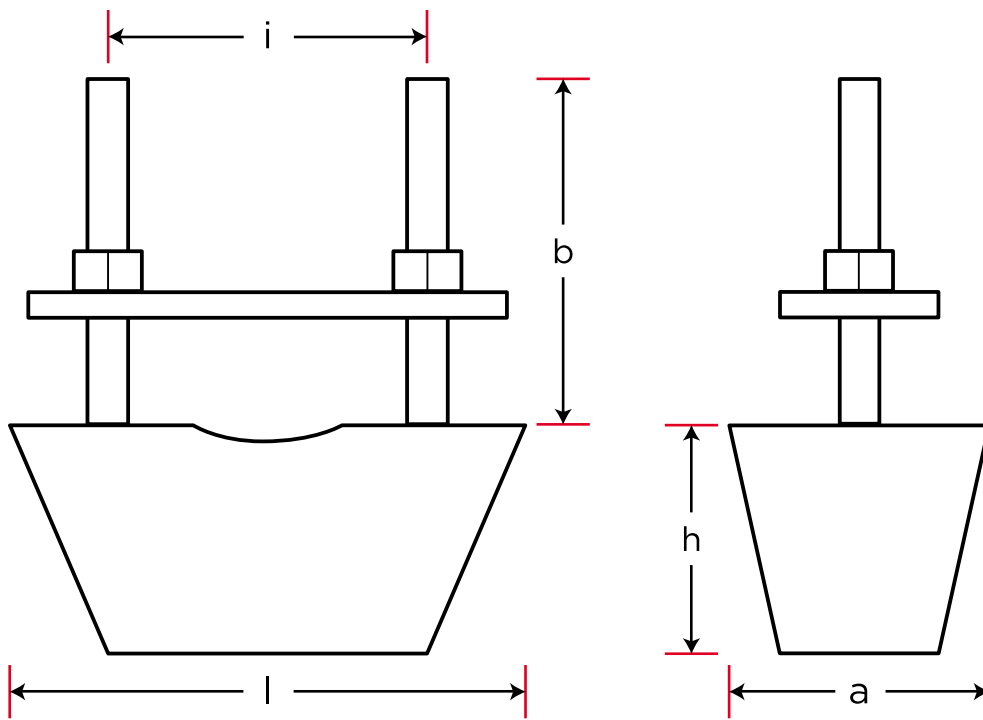


## BOW THRUSTER ANODES

Code	Material	Unit	a	h	Ø	Ø1	Ø2	kg	lbs
BPT24	Zn	mm	24	42	48	34	7	0,33	0,73
		inch	15/16"	1 5/8"	1 7/8"	1 5/16"	1/4"		
BPT30	Zn	mm	30	48	67	48	8	0,62	1,37
		inch	1 3/16"	1 7/8"	2 5/8"	1 7/8"	5/16"		

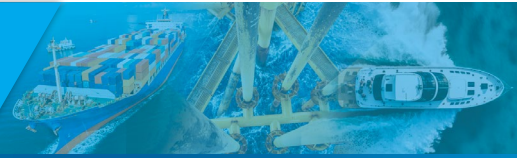


## CHAIN ANODES

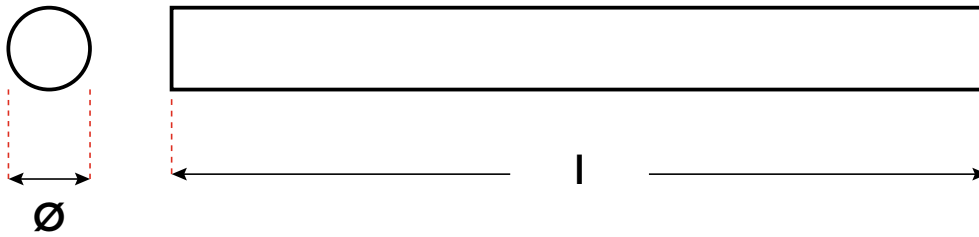
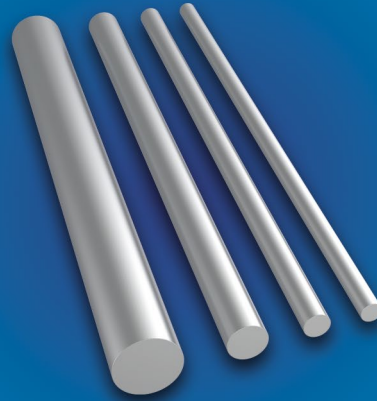


### CHAIN ANODES

Code	Material	Unit	l	a	h	b	i	kg	lbs
ZT60	Zn	mm	97	49	43	65	60	1,03	2,27
		inch	3 13/16"	1 15/16"	1 1/16"	2 9/16"	2 3/8"		



## PENCIL ANODES



### PENCIL ANODES

Code	Material	Unit	Ø	l	kg	lbs
CBT16	Zn	mm	16	500	0,70	1,54
		inch	3/4"	19 11/16"		
CBT20	Zn	mm	20	500	1,10	2,43
		inch	13/16"	19 11/16"		
CBT30	Zn	mm	30	500	2,50	5,51
		inch	1 3/16"	19 11/16"		
CBT50	Zn	mm	50	500	6,95	15,32
		inch	1 15/16"	19 11/16"		



## Industrial Cathodic Protection

Cathodic protection is applied in industrial structures and vehicles such as pipelines, oil platforms, bridges, buildings, industrial facilities by two basic methods:

### Galvanic Protection

In this method, a more active metal than the metal we want to protect is bonded to the metal to be protected. The more active metal gives current to prevent corrosion and the metal to be protected is protected.

### Induction Cathodic Protection

In this method, an electric current produced by a cathodic protection generator is applied to the metal to be protected. This current prevents corrosion by creating a protection layer on the surface of the metal to be protected.

Correct and effective cathodic protection applications extend the life of structures and vehicles, reduce maintenance costs and provide economy in operating costs.

You can contact us for your industrial cathodic protection needs and get detailed information about our products and services...





[www.CRADSU.co.uk](http://www.CRADSU.co.uk)

# PRODUCT CATALOGUE